

Data Sheet

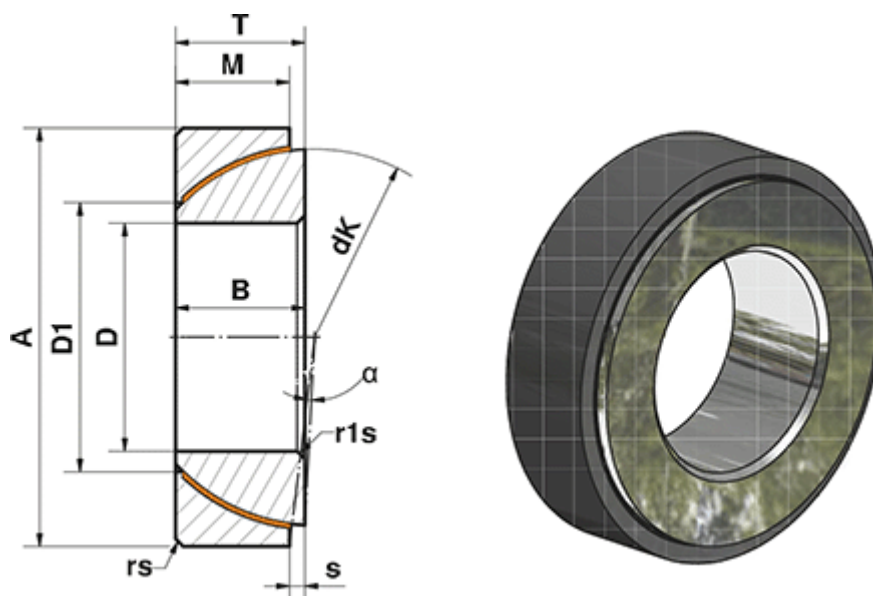


Article number: 03449035

Description: Fluro Heavy Duty Spherical Plain Bearing GE 35 SWE
Hole Ø35

Note: 35

Measures



A	= 62	rs, r1s min	= 1
a (degrees)	= 4	S	= 2.1
B	= 18	Static load C0 (kN)	= 345
D	= 35	T	= 18
D1	= 42.7	Weight (g)	= 268
dK	= 55.5		
Dynamic load C (kN)	= 207		
M	= 16		